



## The fork positioner for demanding material handling requirements.

### APPLICATIONS

The F-Series sideshifting fork positioner is recommended for applications in distribution, manufacturing, food processing and limited outdoor uses. The top mount sideshift cylinder provides good visibility over the top and through the middle for handling a variety of pallet configurations.

### FEATURES

- No-weld installation
- Sideshift cylinder fixed hose termination
- Center mount combination 4- and 5-inch wide fork carriers
- Smooth, even fork travel
- Various load backrest heights available

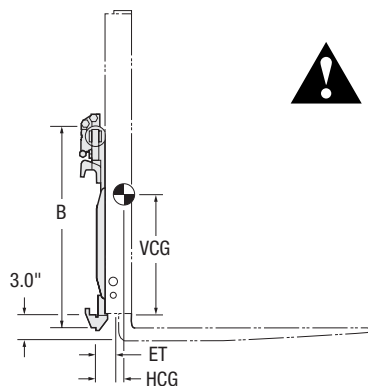
### OPTIONS

- Sequence valve for use with a single auxiliary valve
- Solenoid valve for use with a single auxiliary valve
- Quick Disconnect lower mounting hooks
- Non-sideshifting models
- Bronze bearings
- Bronze lower hooks

*A smooth operating sideshifting fork positioner to increase productivity, improve safety and decrease product damage.*

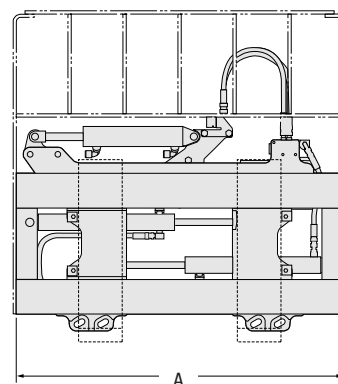


# F-SERIES FORK POSITIONER



**IMPORTANT: OSHA or state regulations may require the installation of backrests.**

▶ Cascade supplied Load Backrest required.



Capacity @ 24" (600 mm) Load Center		Frame Width Without Backrest	Opening Range ①	Fork Pocket Width	Catalog Order No.	Mtg. Class	Min. Truck Carriage Width	Weight		Effective Thickness	Horizontal Ctr. of Gravity	Vertical Ctr. of Gravity	Overall Width w/Backrest	Overall Height
lbs	kg	A	ITO					lbs	kg	ET	HCG	VCG		B
<b>With Backrest (48" height)</b>														
5,500	2,495	37"	1.2"-34.5"	5.0"	<b>55F-FPS-A137</b>	II ②	31"	300	136	2.70"	1.7"	15.0"	38"	23.5"
5,500	2,495	41"	1.2"-38.5"	5.0"	<b>55F-FPS-A141</b>	II ②	37"	325	147	2.70"	1.7"	15.3"	42"	23.5"
5,500	2,495	49"	1.2"-46.5"	5.0"	<b>55F-FPS-A149</b>	II ②	41"	369	167	2.70"	1.7"	15.3"	50"	23.5"
10,000	4,540	41"	1.8"-37.5"	6.0"	<b>100F-FPS-B141</b>	III	37"	503	228	3.65"	2.3"	14.6"	42"	29.5"
10,000	4,540	49"	1.8"-45.5"	6.0"	<b>100F-FPS-B149</b>	III	41"	567	257	3.65"	2.2"	14.7"	50"	29.5"
10,000	4,540	61"	1.8"-57.5"	6.0"	<b>100F-FPS-B161</b>	III	49"	668	303	3.65"	2.2"	14.7"	62"	29.5"
10,000	4,540	72"	1.8"-68.5"	6.0"	<b>100F-FPS-B172</b>	III	61"	940	426	3.65"	2.2"	14.8"	73"	29.5"
12,000	5,450	41"	1.8"-37.5"	6.0"	<b>120F-FPS-C141</b>	IV	37"	660	300	4.00"	2.7"	19.6"	42"	34.0"
12,000	5,450	49"	1.8"-45.5"	6.0"	<b>120F-FPS-C149</b>	IV	41"	743	338	4.00"	2.6"	19.7"	50"	34.0"
12,000	5,450	61"	1.8"-57.5"	6.0"	<b>120F-FPS-C161</b>	IV	49"	865	398	4.00"	2.6"	19.7"	62"	34.0"
12,000	5,450	72"	1.8"-68.5"	6.0"	<b>120F-FPS-C172</b>	IV	61"	1,050	560	4.00"	2.6"	19.8"	73"	34.0"
<b>Without Backrest</b>														
5,500	2,495	37"	1.2"-34.5"	5.0"	<b>55F-FPS-A037</b>	II ②	31"	226	103	2.70"	1.3"	10.2"	38"	23.5"
5,500	2,495	41"	1.2"-38.5"	5.0"	<b>55F-FPS-A041</b>	II ②	37"	244	111	2.70"	1.3"	10.2"	42"	23.5"
5,500	2,495	49"	1.2"-46.5"	5.0"	<b>55F-FPS-A049</b>	II ②	41"	278	126	2.70"	1.4"	10.3"	50"	23.5"
10,000	4,540	41"	1.8"-37.5"	6.0"	<b>100F-FPS-B041</b>	III	37"	427	194	3.65"	2.1"	11.8"	42"	29.5"
10,000	4,540	49"	1.8"-45.5"	6.0"	<b>100F-FPS-B049</b>	III	41"	483	219	3.65"	1.9"	11.9"	50"	29.5"
10,000	4,540	61"	1.8"-57.5"	6.0"	<b>100F-FPS-B061</b>	III	49"	571	259	3.65"	1.9"	11.9"	62"	29.5"
10,000	4,540	72"	1.8"-68.5"	6.0"	<b>100F-FPS-B072</b>	III	61"	725	329	3.65"	1.9"	11.9"	73"	29.5"
12,000	5,450	41"	1.8"-37.5"	6.0"	<b>120F-FPS-C041</b>	IV	37"	550	250	4.00"	2.5"	16.8"	42"	34.0"
12,000	5,450	49"	1.8"-45.5"	6.0"	<b>120F-FPS-C049</b>	IV	41"	621	282	4.00"	2.3"	16.9"	50"	34.0"
12,000	5,450	61"	1.8"-57.5"	6.0"	<b>120F-FPS-C061</b>	IV	49"	734	333	4.00"	2.3"	16.9"	62"	34.0"
12,000	5,450	72"	1.8"-68.5"	6.0"	<b>120F-FPS-C072</b>	IV	61"	865	393	4.00"	2.3"	16.9"	73"	34.0"

- ▶ Forks are not included with attachment.
- ▶ 8" total sideshift—For non-sideshift option consult Cascade.
- ▶ Optional fork pocket widths available. Consult Cascade.
- ▶ **60" fork maximum length.** For longer forks, contact Cascade.
- ① 55F adjustable to 4"-wide forks—deduct 2" from outside spread dimension; 100F adjustable to 5" forks—deduct 2" from outside spread dimension. 120F ITO as shown. F Series fork positioners can accommodate high shank forks. Other fork pocket widths available. Consult Cascade.
- ② Class III available, Class II forks required for mounting on 55F fork positioner.

## INSTALLATION KIT

Catalog Order No.  
**224042**

## NOTE

For 15,000 lbs capacity, class IV requirements, refer to the Cascade 150H Fork Positioner.